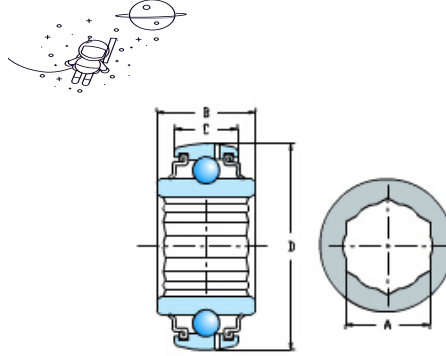


Square Bore And Spherical O.D



| select | Inquiry | Bearing Designation | Dimension □mm□ | | | | Basic load ratings (kN) Cr | Weight (Kg) |
|------------|---------|---------------------|----------------|-------|-------|------|-------------------------------|-------------|
| | | | d | D | Bi | Be | | |
| GW208PPB5 | 1-1/8 | 3.1496 | 1.437 | 0.708 | 26200 | 0.67 | | |
| GW208PPB8 | 1-1/8 | 3.1496 | 1.437 | 1.189 | 26200 | 0.75 | | |
| GW209PPB5 | 1-1/4 | 3.3464 | 1.437 | 1.189 | 29200 | 0.79 | | |
| GW209PPB8 | 1-1/4 | 3.3464 | 1.437 | 0.748 | 29200 | 0.75 | | |
| GW210PPB4 | 1-1/8 | 3.5433 | 1.189 | 1.189 | 31500 | 0.96 | | |
| GW211PPB11 | 1-1/2 | 3.937 | 1.75 | 0.984 | 39100 | 1.02 | | |
| GW211PPB3 | 1-1/2 | 3.937 | 1.311 | 1.311 | 39100 | 1.21 | | |
| GW211PPB6 | 1-1/2 | 4.125 | 1.75 | 1.437 | 39100 | 1.86 | | |
| W208PPB11 | 7/8 | 3.428 | 1.437 | 1.189 | 26200 | 0.93 | | |
| W208PPB12 | 1-1/8 | 3.428 | 1.437 | 1.189 | 26200 | 0.85 | | |
| W208PPB13 | 7/8 | 3.1496 | 1.437 | 0.708 | 26200 | 0.73 | | |
| W208PPB18 | 7/8 | 3.4385 | 1.437 | 1.189 | 26200 | 0.93 | | |
| W208PPB19 | 1-1/8 | 3.4385 | 1.437 | 1.189 | 26200 | 0.85 | | |
| W208PPB5 | 1-1/8 | 3.1496 | 1.437 | 0.708 | 26200 | 0.67 | | |
| W208PPB8 | 1-1/8 | 3.1496 | 1.437 | 1.189 | 26200 | 0.75 | | |
| W208PPB9 | 1 | 3.1496 | 1.437 | 1.189 | 26200 | 0.79 | | |
| W209PPB5 | 1-1/4 | 3.3464 | 1.437 | 1.189 | 29200 | 0.79 | | |
| W209PPB7 | 1-1/4 | 3.4380 | 1.437 | 1.189 | 29200 | 0.84 | | |
| W209PPB8 | 1-1/4 | 3.3464 | 1.437 | 0.748 | 29200 | 0.75 | | |
| W210PPB4 | 1-1/8 | 3.5433 | 1.189 | 1.189 | 31500 | 0.96 | | |

Square Bore And Spherical O.D

| | | | | | | |
|----------|-------|--------|-------|-------|-------|------|
| W210PPB6 | 1-1/8 | 3.5433 | 1.437 | 1.189 | 31500 | 1.02 |
| W211PPB3 | 1-1/2 | 3.937 | 1.311 | 1.311 | 39100 | 1.21 |
| W211PPB6 | 1-1/2 | 4.125 | 1.75 | 1.437 | 39100 | 1.86 |